

**Proudly Australian**



# PVC Cluster Filter Housing

The PVC Cluster Filter Housings are highly versatile in meeting the filtration requirements of domestic, commercial and industrial applications. The housings are designed to accept different types of cartridges which can be used for the removal of; turbidity, precipitated iron, rust, scale, cysts and other micron-level particulates. The Cluster Housings accept five (5) standard diameter DOE (double open end) cartridges and are available in four (4) housing sizes to suit 10", 20", 30" and 40" long cartridges.

The durable uPVC housings, which are manufactured in an ISO9001 certified factory, have excellent chemical resistance. PVC Cluster Filter Housings are a popular choice among water filtration professionals for their versatility, size, economy, high flow, simplicity, water saving and wide range of applications.

## Features and Benefits

- Price Competitive
- Highly Versatile
- Higher Flow Rates and Capacity
- Air Vent in Cap
- Housing Spanner Included
- Easy to Install and Maintain
- Heavy Duty, Non-corrosive uPVC
- Accepts a Wide Range of DOE Cartridges
- Pressure Gauge Port in Cap (Pressure Gauge Not included)

## General Specifications

- Port Size : 10", 20", 30" & 40"      1½" Union (Solvent Weld)
- Temperature Ranges: 4.4°C - 50°C (40°F - 125°F)
- Operating Pressure: 600 kPa (85 psi) (Maximum)
- Recommended Flow Rate: 10" 75 Lpm (Based on 15 Lpm per 10" of 10µm Sediment Cartridges)      20" 150 Lpm      30" 225 Lpm      40" 300 Lpm

**NOTE:** Flow rate will vary depending on type of filter cartridge installed and raw water quality. (Filter Cartridges NOT included)

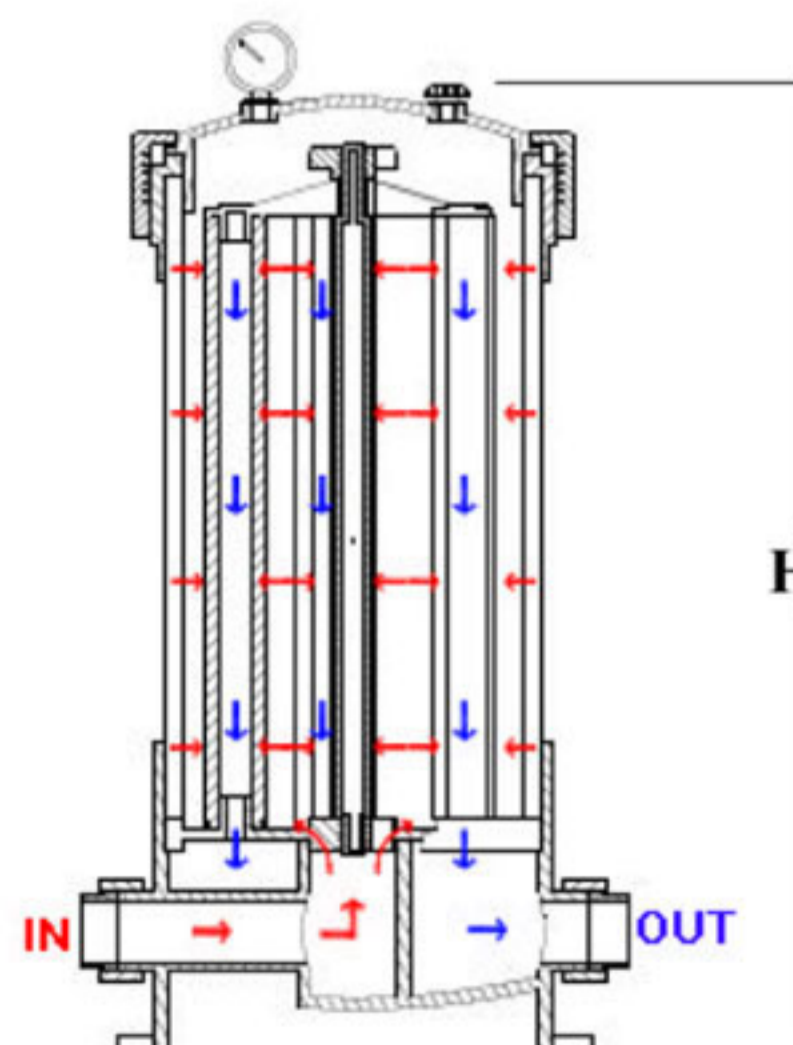
### Materials of Construction:

Housing - uPVC  
'O' Ring - EDPM

- Dimensions: 10" 20" 30" 40"  
Height (mm): 480 730 980 1230  
(Not including Pressure Gauge)

### Cartridges Accepted

- Standard Diameter DOE (Double Open End)
- I.D. 28 - 30mm (Inside Diameter)
- O.D. 65 - 70mm (Outside Diameter)

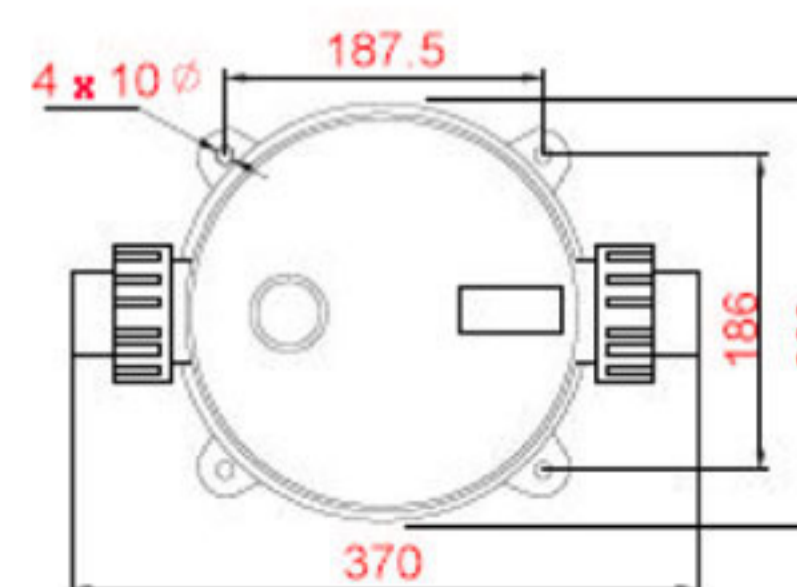


**Warning:**  
For drinking water applications, do not use water that is microbiologically unsafe or of unknown quality without adequate disinfection.

**COOLABAH WATER**

Ah... that's better !

**Series: WHPVCCF**



## Model No.

- 10" WHPVCCF10-5
- 20" WHPVCCF20-5
- 30" WHPVCCF30-5
- 40" WHPVCCF40-5

**NOTE:** For aggressive water applications please consult your local dealer prior to purchase.

PVC Cluster

Filter Housing

Phone  
**1800 069 800**  
**0269 258 555**